

# [ mod. 120-CFE ]

Thermoprinting and reactivation of direct-to-textile inks



## GB >>

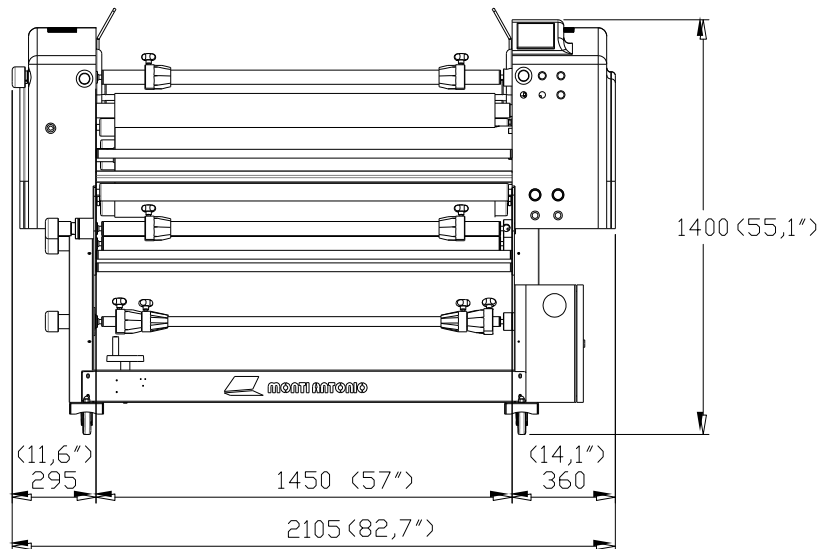
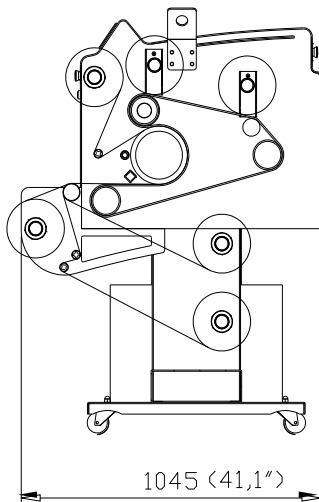
Innovative and versatile printing calender (movable on wheels) suitable for both the transfer of dye sublimation inks from paper to materials to be printed, and for the reactivation of inks directly printed on textile by means of plotters.

## I >>

Innovativa e versatile calandra da stampa (mobile su ruote) adatta sia al trasferimento con carte sublimatiche, sia alla riattivazione degli inchiostri stampati direttamente sui tessuti a mezzo plotters.



## [ Technical data ]



Cylinder width / Tavola cilindro	mm.	1300 (51,1")
Working width / Tavola utile	mm.	1150 (45,2")
Mechanical speed / Velocità meccanica	mt./min.	0,1 ÷ 1,7
Installed electric power / Potenza elettrica installata	Kw	7
Average consumption / Consumo medio	Kw/h	5
Cylinder diameter / Diametro cilindro	mm.	200 (8")
Net weight / Peso netto	Kg.	580

THE DATA AND TECHNICAL FEATURES ARE PURELY INDICATIVE AND SUBJECT TO CHANGES WITHOUT NOTICE  
I DATI E LE CARATTERISTICHE TECNICHE SONO PURAMENTE INDICATIVI E SOGGETTI A VARIAZIONI SENZA  
OBBLIGO DI PREAVVISO.

Monti Antonio S.p.A.  
Via dell'Elettronica n°5  
36016 Thiene (VI) - Italy

Tel. +39 0445 364619  
Fax. +39 0445 364033  
sales@montiantonio.com  
www.montiantonio.com

member of  
**ACIMIT**  
ITALIAN TEXTILE  
MACHINERY



STANDARD & CUSTOM HEATING SOLUTIONS



LAMINATING



PRINTING



FINISHING



PRESSING



STEAM GENERATORS